



## D-FORCE INOX SG500 DOUBLE HIGH-SPEED GATE

D-FORCE INOX SG500 Speed Gate Turnstile is designed to be used in fast and intensive visitor-staff entrances, such as banks and holdings where luxury and prestige stand out. With Avax SG500 Rapid Transit Turnstile, architects and decorators have been given the opportunity to make a wide variety of super models.

D-FORCE INOX SG500 Speed Gate Turnstile forms a corridor. In the middle of this corridor there is a curtain/wing made from the plexy glass that prevents passing. When the visitor swipe the card, this curtain/wing opens. The sensor detectors in the corridor allow the card reading person to pass and while the visitor is passing through, if any other person behind tries to pass without swiping the card, it closes the curtain/wing suddenly and gives alarm sound. However, if there will be a danger to the person in case of a leaking attempt forbidden pass, the wing does not close but the alarm sounds and warns the security.



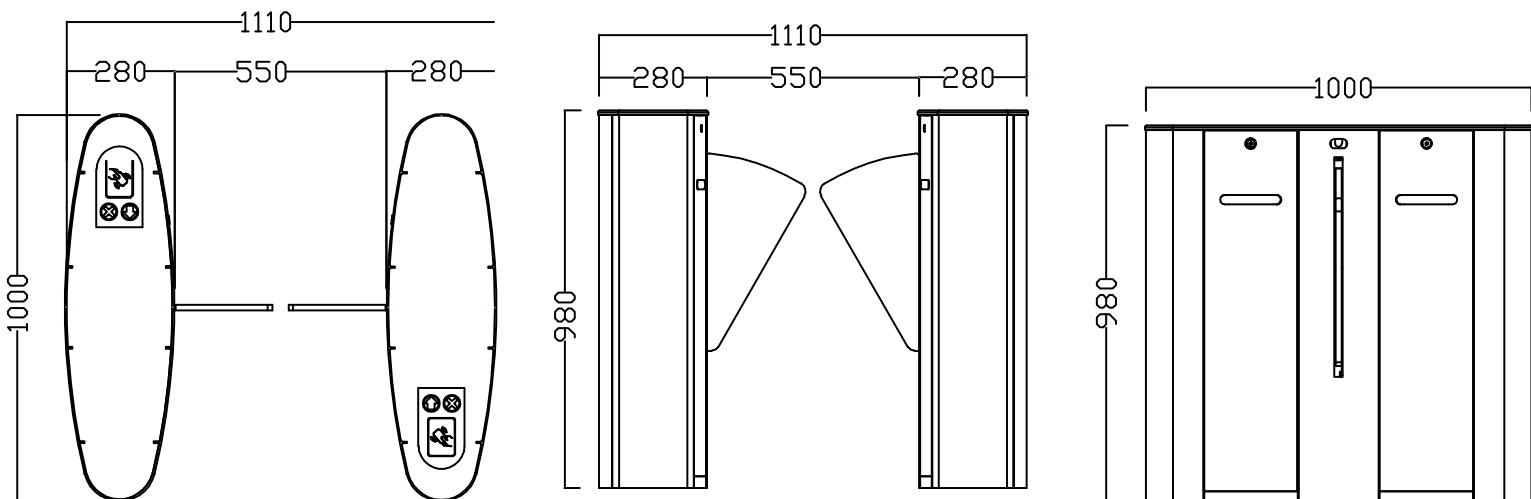
# D-FORCE



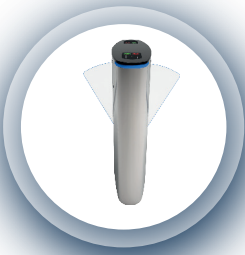
# Technical Specifications

Body	AISI 304 quality stainless steel
Sleeves	Plexiglass
Crossing Distance	50-55cm
Transition Direction	It can be adjusted as desired as only entrance, only exit or transition to both directions
Transition Time	Can be adjusted as desired
Transition Warning	Gives visual and audible warnings
Transition Information	NC: Normally closed or NO: Normally open
Transition Speed	~ 35 people/minute
Access Control	Single pass in set direction, single pass in two directions, free pass, always locked or free
Operating voltage	220/240V
Power consumption	35 W
Frequency	50-60Hz
Usage Area	Indoor
Operating temperature	-25 to +70 Degrees
Test Result	Tested 3 Million passes
Weight	Approx. 80kg
Board Dimensions	980 x 280 x 1000mm
Access Control	It can run together as combined with Fingerprint, face recognition, vein recognition and card readers by receiving the signal.
Certificates	ISO, CE and Warranty certificate

## Technical drawing



# Advantages



Gate inner and outer parts are made of 304 quality stainless steel, which is durable and long-lasting.



After the quick turnstile is opened, the most effective closing time can be set as desired with the adjustable closing time.

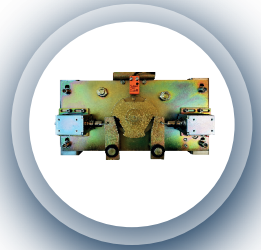


Ergonomic plexi design facilitates Face recognition, fingerprint reading and card reader insertion.

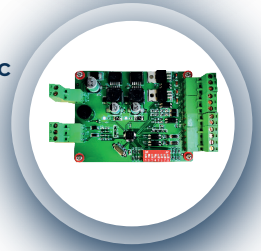


It is suitable for indoor use. Thanks to its prestigious appearance, it also adds elegance to the place to be used.

Minimizes the need for maintenance thanks to its own patented lubrication system.



It has high quality PCB and electronic components. Operates without being affected by environmental electromagnetic noise.



It eliminates confusion by guiding in the direction of the pass with bright LED markers.



Thanks to the horizontal surface at the ground mounting point, the turnstile works without shaking in transitions.



## Usage areas:

- Factories
- Hospitals
- Business centers
- Dining Halls
- Airports
- Logistics Fields
- Educational institutions
- Gyms
- Public institutions
- Chain Stores
- Hotels
- Event Spaces
- Plazas
- Residences
- Military Fields
- Fair Entrances
- Smart Buildings
- Dams
- Shopping malls
- Public Transport Stations

# D-FORCE

