

Sturidiness Electric Bolt With Narrow Panel

FUNCTION

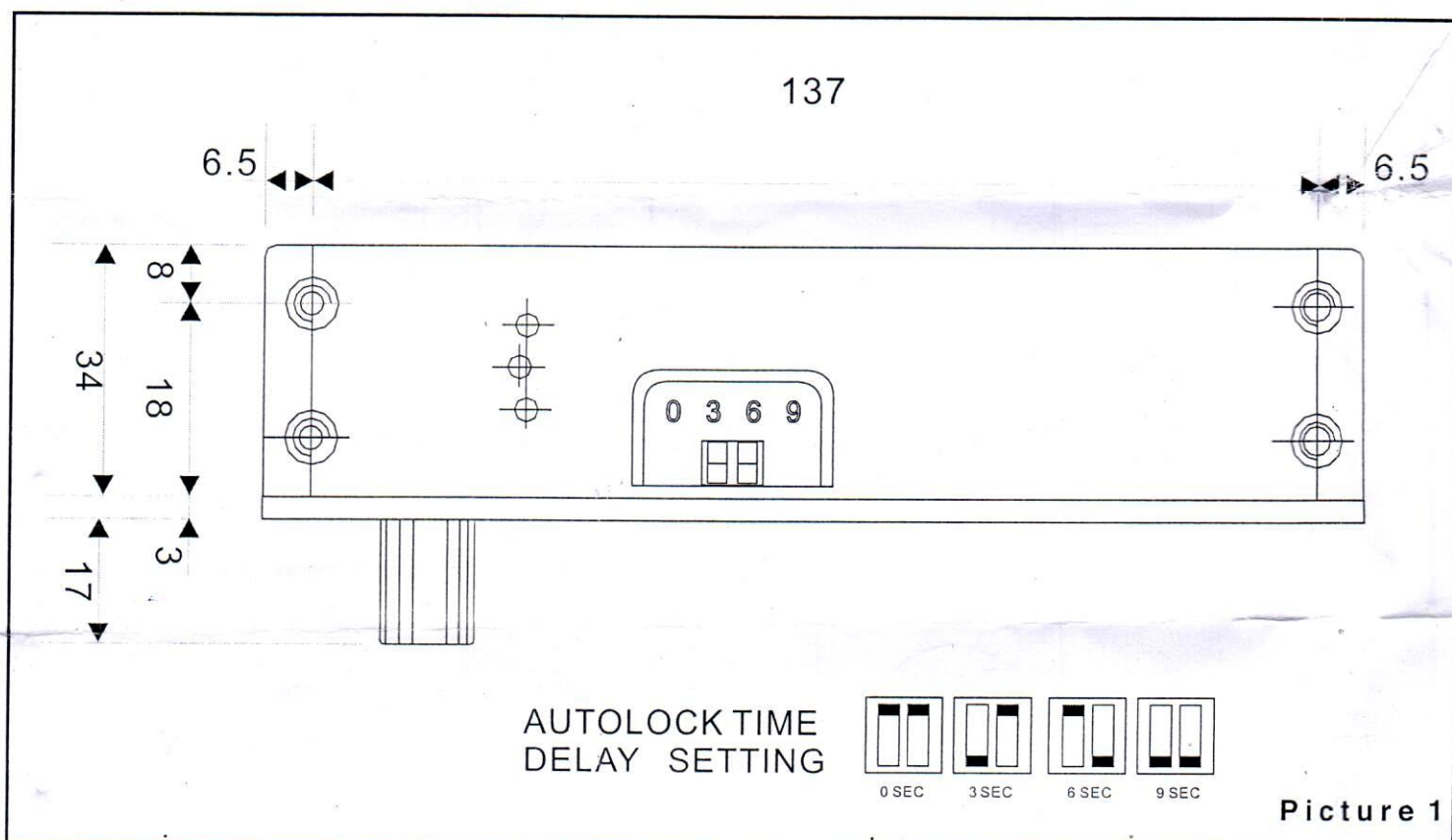
This is the self contain device whose securing element, the bolt is directly moved by a solenoid. The voltage used can be 12VDC or 24VDC optional. There is LED light indicator to show the status of lock and to show the status of doors. The delay timer can be set 0/3/6/9 seconds.

INSTALLATION

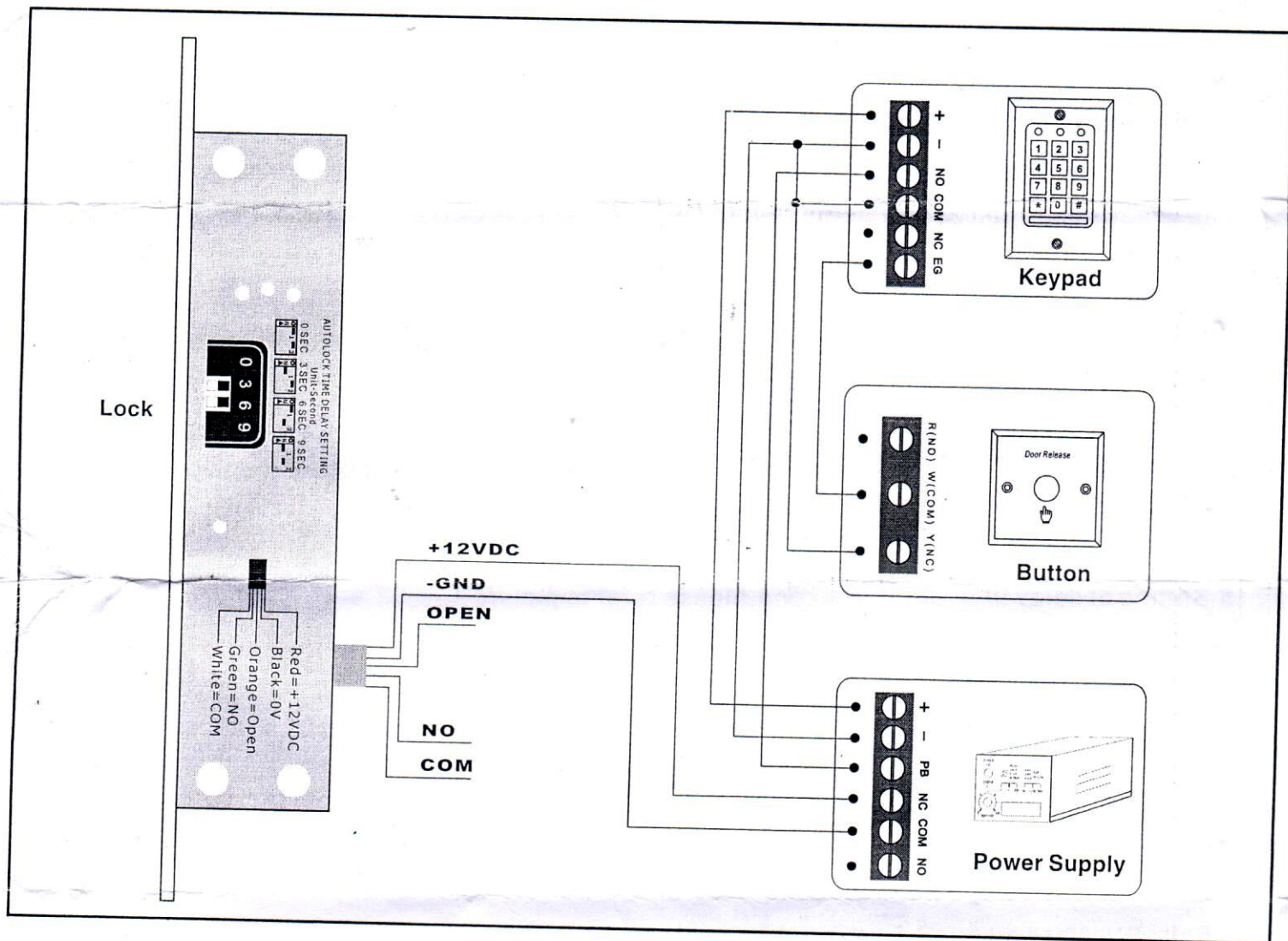
1. Please read the specification before installation, Please also check the all the accessories and go through the wiring diagram.
2. The product contains 2 parts, which are lock body and strike. The gap between the lock body and the strike should be less than 8mm, make sure the bolt can go into the hole of the strike plate.
3. There are 5 types of wires, Red---(+), Black---(-), Orange---(OPEN), Green---(NO), White---(COM)
4. Setting of wiring diagram, please refer to picture 3.
5. Setting of delay time, 0/3/6/9 second, please refer to picture 1.
6. installation dimension: please refer to picture 2.

PARAMETERS

- Voltage : DC12V±10%
 - Current : Start Current is 960mA, Standby current:130mA
 - Open-Contact : Connect RED and ORANGE together
 - LED : RED when the bolt being withdraw, GREEN when the bolt being projected
- Auto lock time delay : 0/3/6/9second
- Bolt : Stainless steel, 12.6mmDIA, 17mm throw
- Face plate : 192Lx25Wx37H(mm)
- Strike : 100Lx25Wx3H(mm)



WIRING DIAGRAM



INSTALLATION

