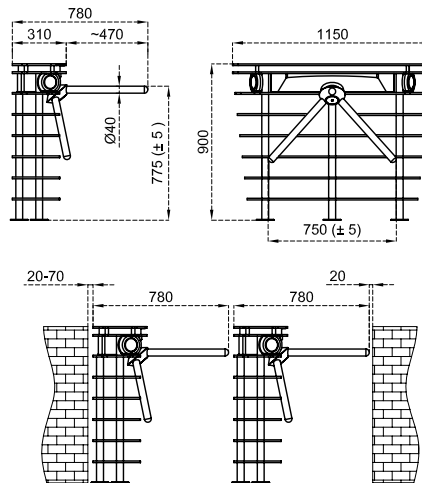








Dimensions (mm)



Technical Features

Place of Use	Indoors, outdoors
Operating Temperature, Humidity	-20°C/+68°C (opt. -50°C with heater positive), RH %95 non-condensing.
Operating Intensity	%100, 7/24 use.
Body Features	Material : Lower body; art-line design smoke-colored (opt. other colors) layered acrylic. Top lid; 20mm thick star galaxy black natural granite (opt. other patterns and materials). Carrier legs; 304 grade stainless steel.
Arms	Automatic Drop (Retractable) Arm : Optional Material : Ø40x2 mm 304 grade (opt. 316 grade) stainless steel, one by one demountable. Finishing : Satine brushed (opt. orbital brushed matt, electrostatic powder coating on stainless steel).
Indicators	Side Status /Direction Indicators :   LED, standard. Top Passage Indicator :   LED, standard.
Power	Operating Voltage : 110/220V AC 50/60 Hz. (%±10), 24V DC. Consumption : ~4W at stand-by, max ~39W (varies according to the options and accessories used).
Operating Modes	System operates bi-directionally (entry-exit). Operation modes can be changed through dip switch, PC and/or android app. Entry - exit controlled Entry controlled, exit free Entry free, exit controlled Single input both directions use Entry - exit free
Operating System	Electromechanical manual operation.
Control System	All functions, parameters and operating modes can be changed through the control board (microprocessor controlled), PC (Windows) and/or android app. Firmware can be updated. All past function updates and changes are kept in the server and records can be traced. All inputs are opto-coupler protected. Controllable by dry contact (ground control). Compatible with all kinds of access control device. Optional RS232, RS485 or TCP/IP module is available.
Flow Rate	Capacity of mechanism (manual) : Max. 82 cycle/min. Nominal : ~30 pass/min. Capacity of mechanism (motorized) : - Nominal : - (Passage rate can change depending on the access control system utilized)
Emergency Mode	System allows free passage (entry-exit) in both directions (fail safe). Works compatible with fire warning and similar systems. At the end of an emergency situation, system returns to its normal operating mode.
Power-off Situation	System allows free passage (entry-exit) in both directions (fail safe). Optionally, can be set (fail secure) as; entry-exit locked, entry free-exit locked, or entry locked-exit free. Free passage in chosen direction by manual override key in fail secure option is available.
Weight	~35 kg
Optional Features and Accessories	Automatic drop (retractable) arm, wireless remote control (receiver-transmitter), manual control, manual override key (with fail secure option), counter (with/without reset), card reader mounting bracket, photocell alarm sensor, passage completion sensor, heater positive, bottom plate, battery back-up, 316 grade stainless steel, RS232-RS485-TCP/IP modules, limiter, various pattern, color and material choices.

